

10 | Second Floor Front Interior Side (Facing Neighboring Lot)



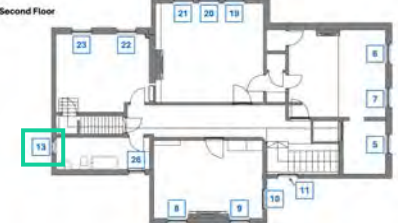
10, 11 | Second Floor Interior Side (Facing Neighboring Lot)



13 | Rear



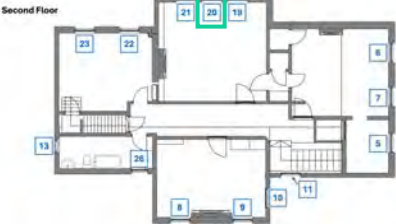
13 | Rear



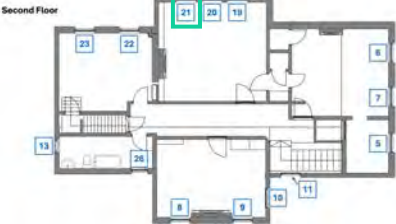
19 | Second Floor 26th Street Side



20 | Second Floor 26th Street Side



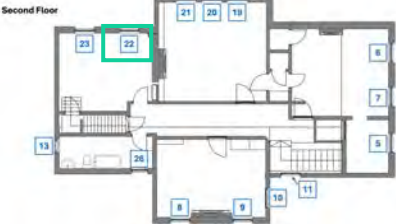
21 | Second Floor 26th Street Side



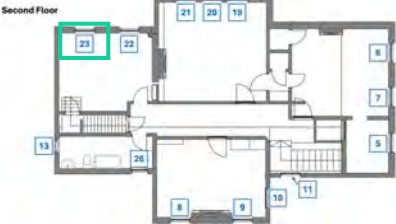
19, 20, 21 | Second Floor 26th Street Side



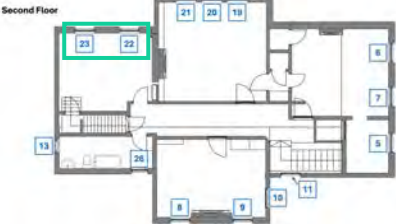
22 | Second Floor 26th Street Side



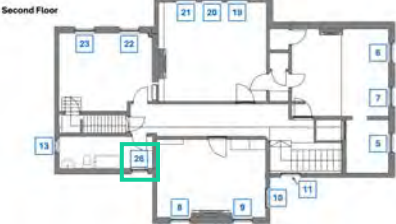
23 | Second Floor 26th Street Side



22, 23 | Second Floor 26th Street Side



26 | Second Floor Interior Side (Facing Neighboring Lot)



Appendix A

Interior Context

Interior Context

First Floor



Interior Context

First Floor



Interior Context

Second Floor



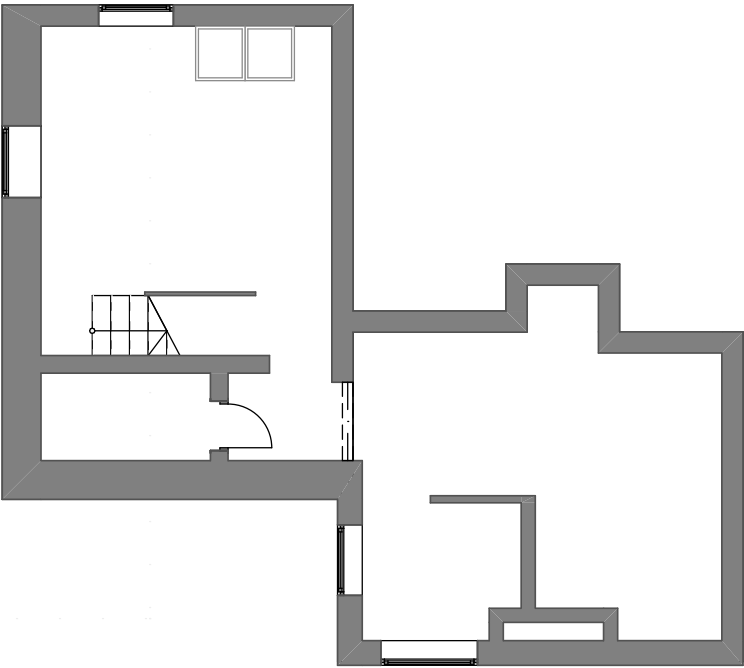
Interior Context

Second Floor



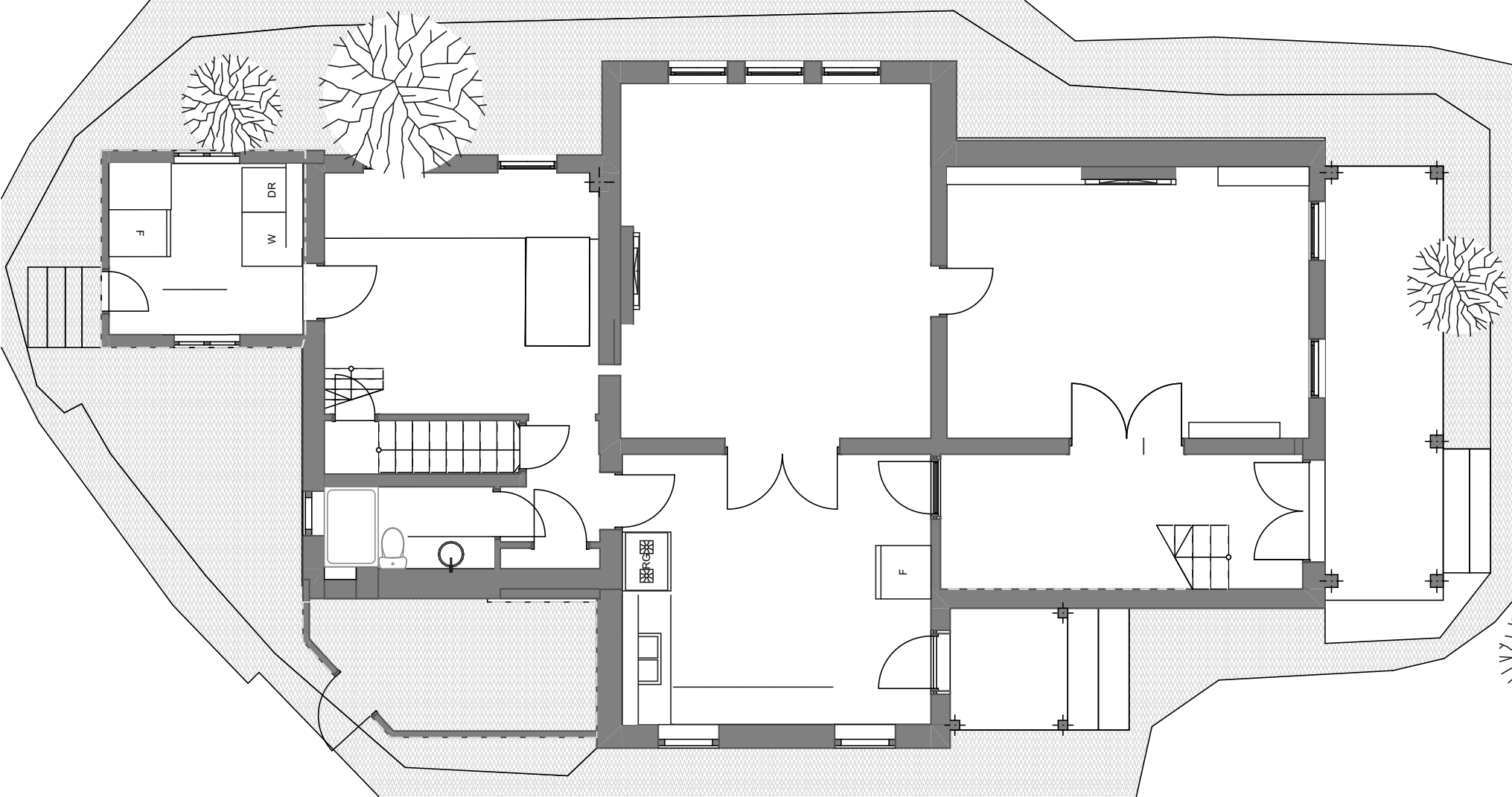
Interior Context

Floor Plan | Basement



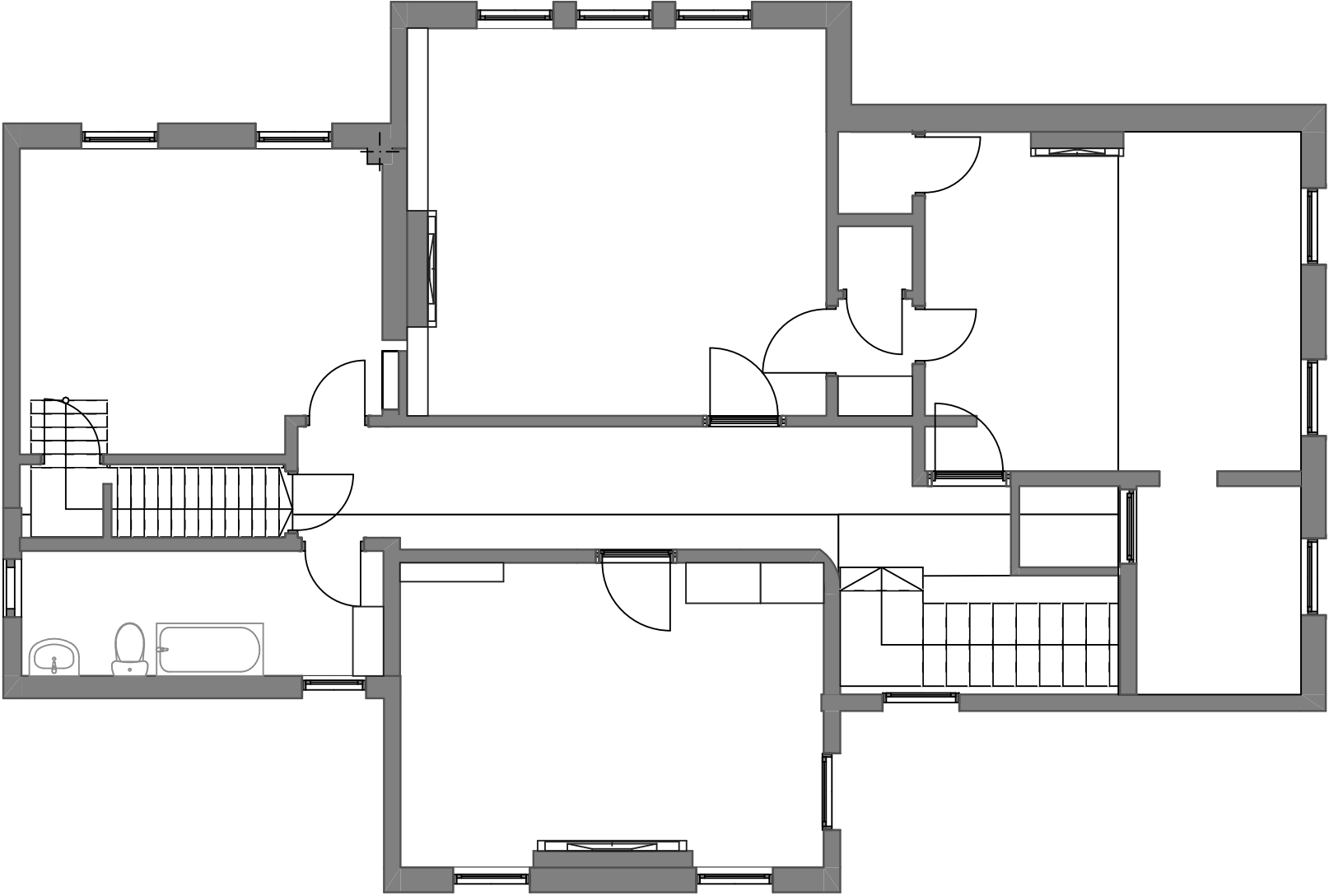
Interior Context

Floor Plan | First Floor



Interior Context

Floor Plan | Second Floor



Appendix B

Exterior Context

Exterior Context

Ca. January 2024



Front Porch

Sample Brick Condition Detail Provided for Exterior Context



Interior Side (Facing Neighboring Lot)

Sample Brick Condition Detail Provided for Exterior Context



26th Street Side

Sample Brick Condition Detail Provided for Exterior Context

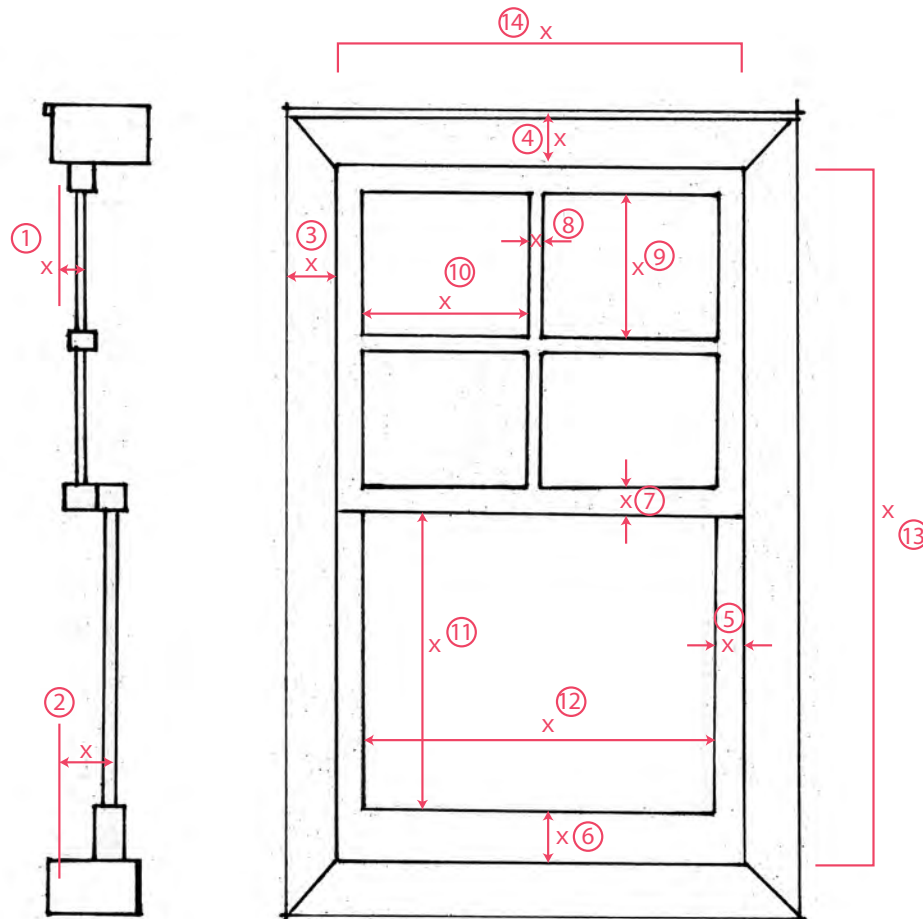


Frame and Sash Comparison - Single and Double Hung Windows

Instructions: To compare the replacement windows to the original, it is important to understand the compatibility between the original and the replacement. Please fill in each value, in inches. Feel free to notate any other measurements that you feel is important to the replacement discussion.

Existing Frame and Sash Exterior Material Wood

Proposed Frame and Sash Exterior Material Wood Clad

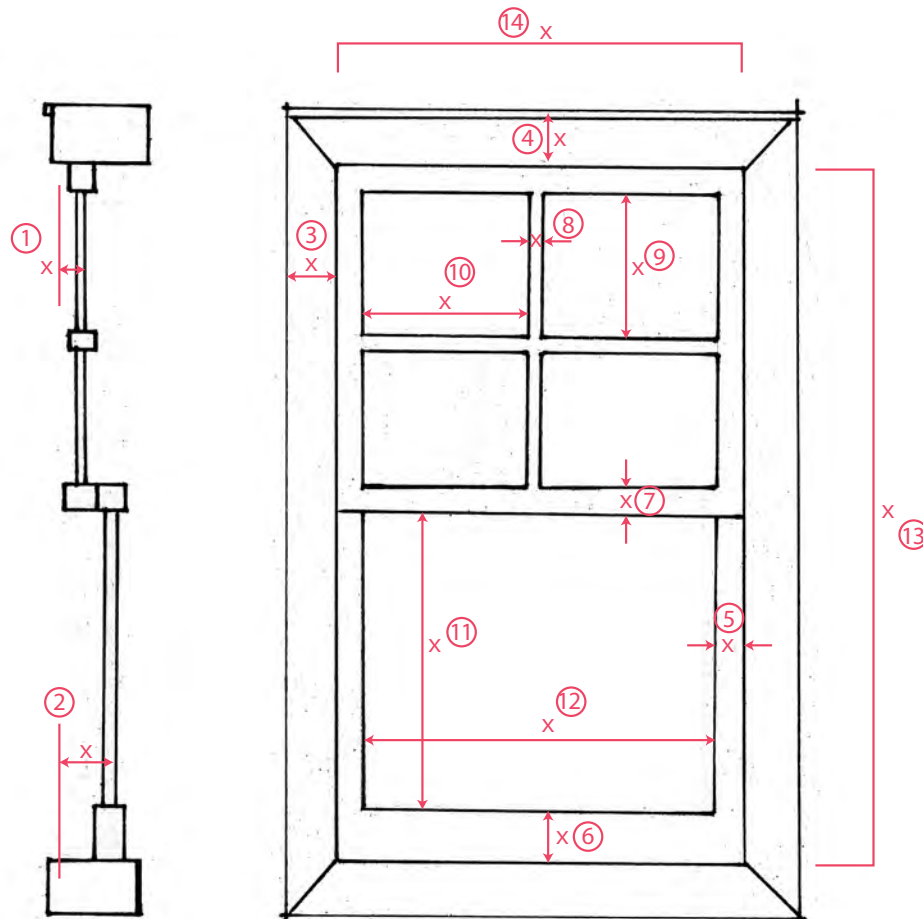


	Existing	Proposed
1. Upper Sash Measurement from exterior façade to glass (Shadow Profile)	<u>Approx. 7"</u>	<u>7"</u>
2. Lower Sash Measurement from exterior façade to glass (Shadow Profile)	<u>Approx. 8"</u>	<u>8"</u>
3. Side trim Measurement	<u>6 3/4"</u>	<u>6 3/4"</u>
4. Top/bottom Measurement	<u>6 3/4"</u>	<u>6 3/4"</u>
5. Stile Measurement	<u>1 3/4"</u>	<u>1 1/2"</u>
6. Rail Measurement	<u>3"</u>	<u>3"</u>
7. Meeting Rail Measurement	<u>1 1/2"</u>	<u>1 9/16"</u>
8. Muntin Measurement	<u>N/A</u>	<u>N/A</u>
9. Glass Height upper	<u>36 1/4" to 39 1/4" side to mid. (arched)</u>	<u>36 1/2" to 39 1/2" side to mid. (arched)</u>
10. Glass Width upper	<u>25 1/4"</u>	<u>27 3/4"</u>
11. Glass Height lower	<u>39 1/4"</u>	<u>39 3/16"</u>
12. Glass Width lower	<u>25 1/4"</u>	<u>27 3/4"</u>
13. Overall Sash height	<u>86 1/2"</u>	<u>86 1/2"</u>
14. Overall Sash width	<u>31"</u>	<u>31"</u>

Existing measurements ± 1/2" due to settling, rotting, warping and other variations between and within windows

Frame and Sash Comparison - Single and Double Hung Windows

Instructions: To compare the replacement windows to the original, it is important to understand the compatibility between the original and the replacement. Please fill in each value, in inches. Feel free to notate any other measurements that you feel is important to the replacement discussion.



Existing Frame and Sash Exterior Material Wood
Proposed Frame and Sash Exterior Material Wood Clad

	Existing	Proposed
1. Upper Sash Measurement from exterior façade to glass (Shadow Profile)	<u>Approx. 6"</u>	<u>6"</u>
2. Lower Sash Measurement from exterior façade to glass (Shadow Profile)	<u>Approx. 7"</u>	<u>7"</u>
3. Side trim Measurement	<u>6 3/4"</u>	<u>6 3/4"</u>
4. Top/bottom Measurement	<u>6 3/4"</u>	<u>6 3/4"</u>
5. Stile Measurement	<u>1 3/4"</u>	<u>1 1/2"</u>
6. Rail Measurement	<u>2"</u>	<u>3"</u>
7. Meeting Rail Measurement	<u>1 1/2"</u>	<u>1 9/16"</u>
8. Muntin Measurement	<u>N/A</u>	<u>N/A</u>
9. Glass Height upper	<u>32 1/4" to 35 1/4" side to mid. (arched)</u>	<u>32 1/2" to 35 1/2" side to mid. (arched)</u>
10. Glass Width upper	<u>25 1/4"</u>	<u>25 3/4"</u>
11. Glass Height lower	<u>35 1/4"</u>	<u>34 3/16"</u>
12. Glass Width lower	<u>25 1/4"</u>	<u>25 3/4"</u>
13. Overall Sash height	<u>77"</u>	<u>77"</u>
14. Overall Sash width	<u>29"</u>	<u>29"</u>

Existing measurements ± 1/2" due to settling, rotting, warping and other variations between and within windows