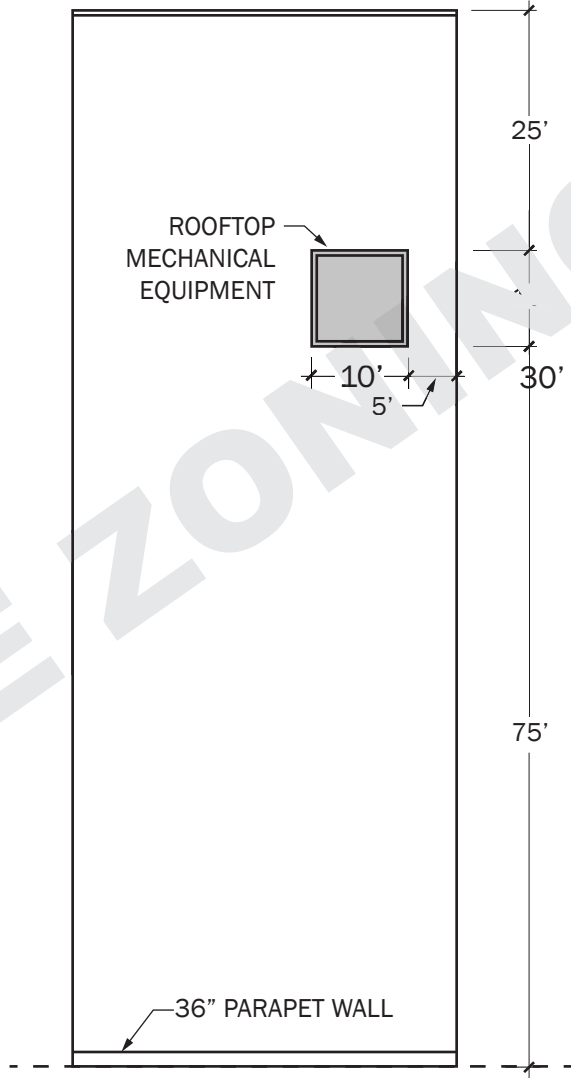


1st Floor Plan 1"=20'



Roof Plan 1"=20'

Floor Plan Requirements:

- Drawing must be complete and accurate. Plans prepared by a design professional are preferred. However, starting plans are not required for zoning applications.
- Must be drawn to a commonly recognized scale. Scale must be included on the plan(s). Drawings that are subsequently reduced/scanned and cannot be verified for dimensions will be rejected. The total gross floor area of the proposed use stated on the application must match the dimensions shown on the submitted floor plans. Any discrepancies must be corrected prior to the issuance of the requested permit.
- Dimension all floors of the proposed project including the roof if work is being proposed on the roof (e.g., new rooftop mechanical equipment).
- Label all areas with existing/proposed use or activity and gross floor area (G.F.A.) as defined by the Denver Zoning Code (DZC), Sec. 13.3-11 / Former Chapter 59 (FC 59), Sec. 59-2 (131).
- Identify all points of pedestrian and vehicular access to the structure.
- Provide a legend with zone district, primary use(s), accessory use(s) as applicable, and gross floor area by permitted zoning use and floor (see below).
- Title block with business name, site address, applicant name, and date.

Required Zoning Floor Plan Information

Zone District	U-MX-2x
Primary Use(s)	Retail Sales
Building Form Used	General
Gross Floor Area by Use and Floor (S.F.):	
First Floor-Retail	4,400

TENANT BUSINESS NAME
SITE ADDRESS
APPLICANT NAME
DATE