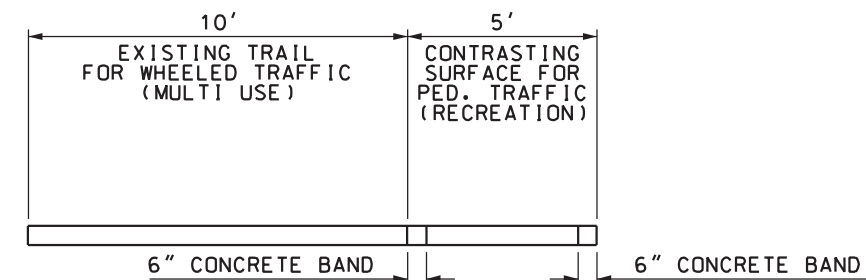
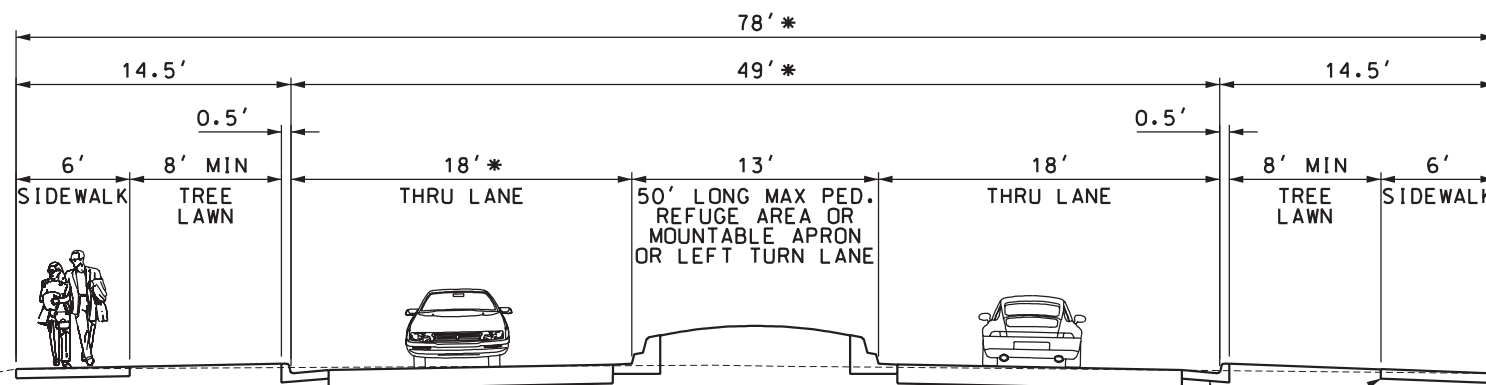


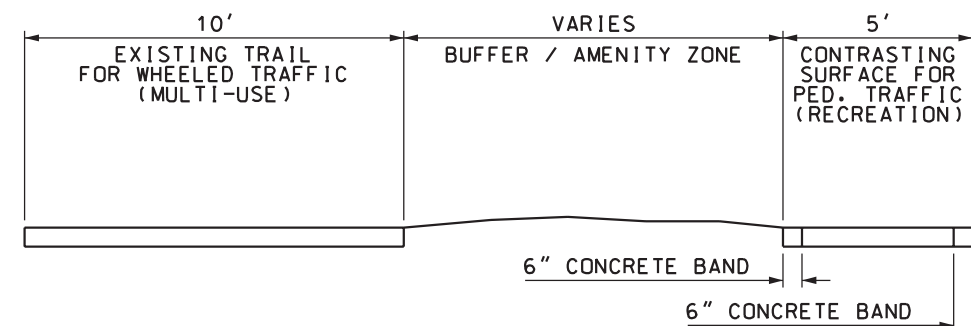
CCSD TYPICAL SECTION 1
UNIVERSITY GATEWAY
SCALE 1" = 10'



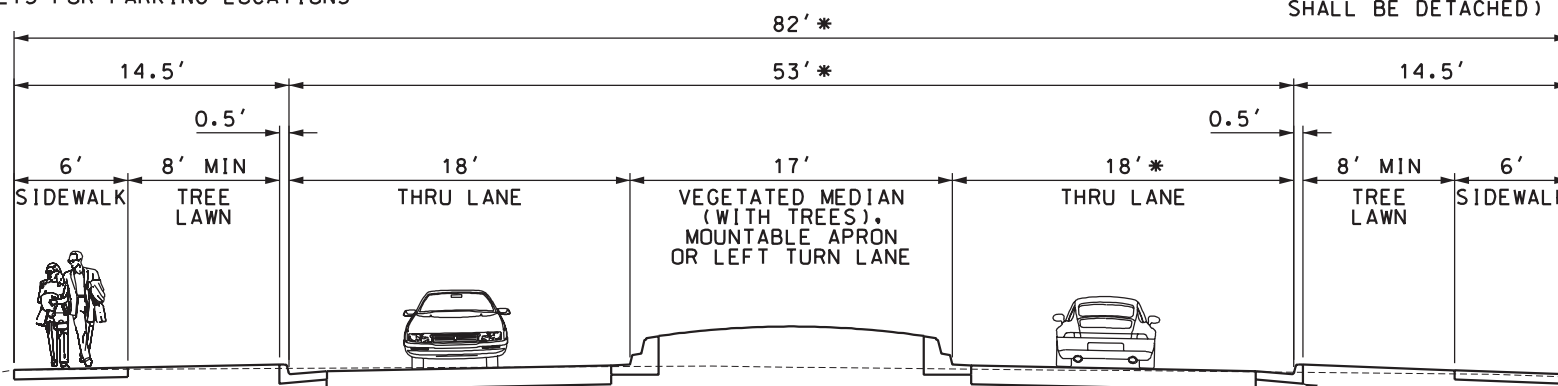
COMBINED NORTHSIDE TRAIL SECTION
SCALE 1' = 5'



CCSD TYPICAL SECTION 2
UNIVERSITY GATEWAY TO GARFIELD STREET
SCALE 1" = 10'



DETACHED NORTHSIDE TRAIL SECTION
SCALE 1' = 5'



CCSD TYPICAL SECTION 3
GARFIELD STREET TO COLORADO BOULEVARD
SCALE 1" = 10'

* - INCREASE DIMENSION BY 8' WHERE THERE IS ON-STREET PARKING SEE PLAN SHEETS FOR PARKING LOCATIONS

* - INCREASE DIMENSION BY 8' WHERE THERE IS ON-STREET PARKING SEE PLAN SHEETS FOR PARKING LOCATIONS

USE THE EXISTING CURB AND GUTTER AND SIDEWALK WHERE IT IS ALREADY IN PLACE (ALL NEW SIDEWALK SHALL BE DETACHED)

CHERRY CREEK SOUTH DRIVE
TYPICAL SECTIONS

DRAWN BY	RJB																			
CHECKED BY	EJO																			
APPROVED BY	MJB																			
		NO.	DATE	REVISIONS	BY	APPD.	NO.	DATE	REVISIONS	BY	APPD.									

TRANSPORTATION ENGINEERING DIVISION		DATE
DEPARTMENT OF PUBLIC WORKS		06/17/03
CITY AND COUNTY OF DENVER, COLORADO		FILE NAME
		...typ-01.sht
		SHT 2 OF 46

q:\645203 ccsd\cadd\docs\typ-01.sht
06/17/03 11:08:24 AM

q:\645203 ccsd\cadd\docs\typ-01.sht